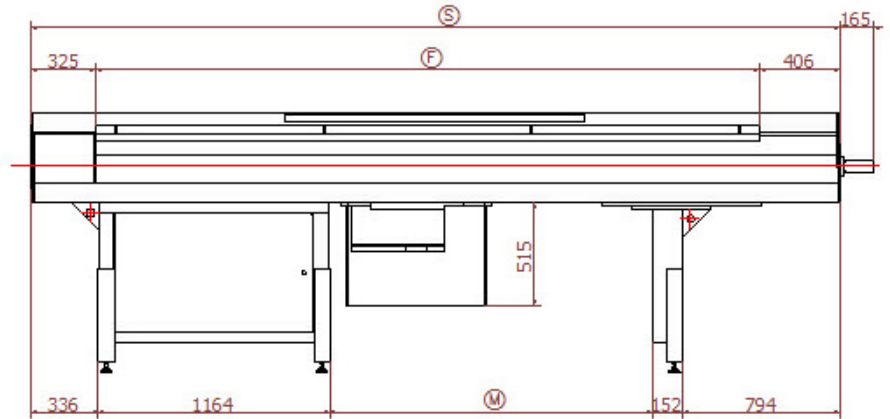
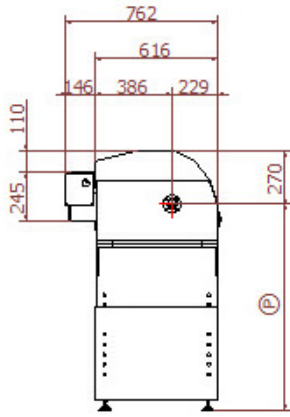
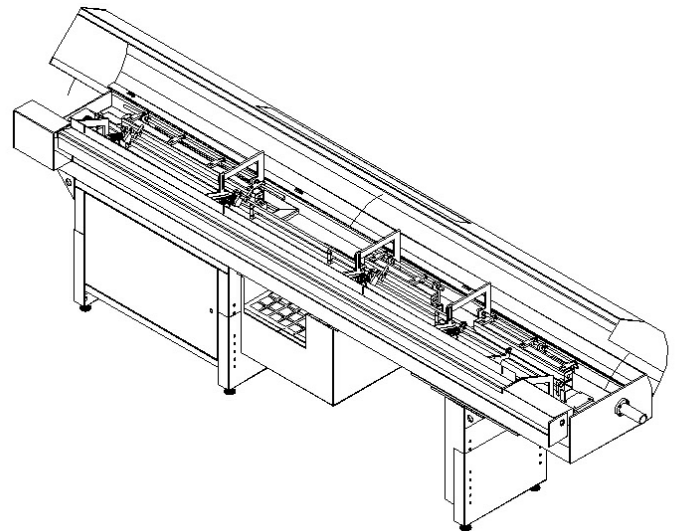


# MONO 1.20/40



LB	S	F	M	P
3.3 mt	4065	3335	1620	1135
4.0 mt	4.0	4335	2620	1135
4.2 mt	5265	4535	2820	1135

<b>BAR DIAMETER</b>	<b>2-40 with equipment</b>
<b>BAR MAGAZINE</b>	<b>320 mm., with inclined plane</b>
<b>POSITIONING SPEED</b>	<b>0-590 mm/sec.</b>
<b>VOLTAGE</b>	<b>400/50Hz.</b>
<b>POWER</b>	<b>1,5 Kw</b>
<b>COMPRESSED AIR</b>	<b>6 BAR/ATM</b>



## CUCCHI GIOVANNI

CARICATORI AUTOMATICI DI BARRE

AUTOMATIC BAR LOADERS

VIA GENOVA 4/6 - 20060 BUSSERO (MI) ITALIA  
 TEL. +39 - 0295039233 - FAX +39 - 0295039221  
 E-MAIL: info@cucchigiovanni.com - http://www.cucchigiovanni.com